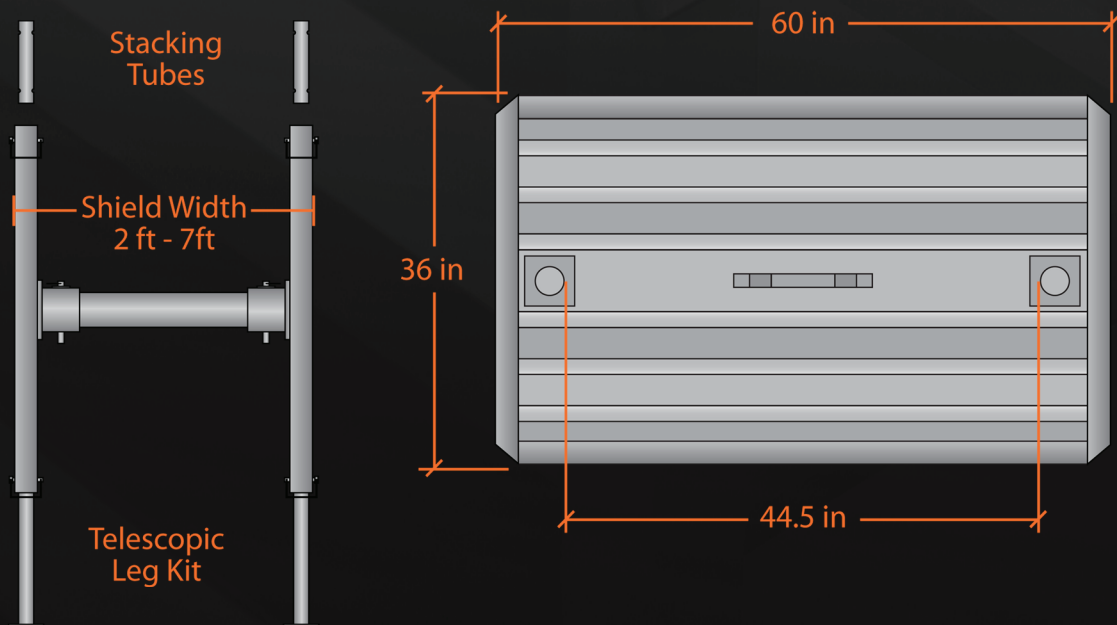
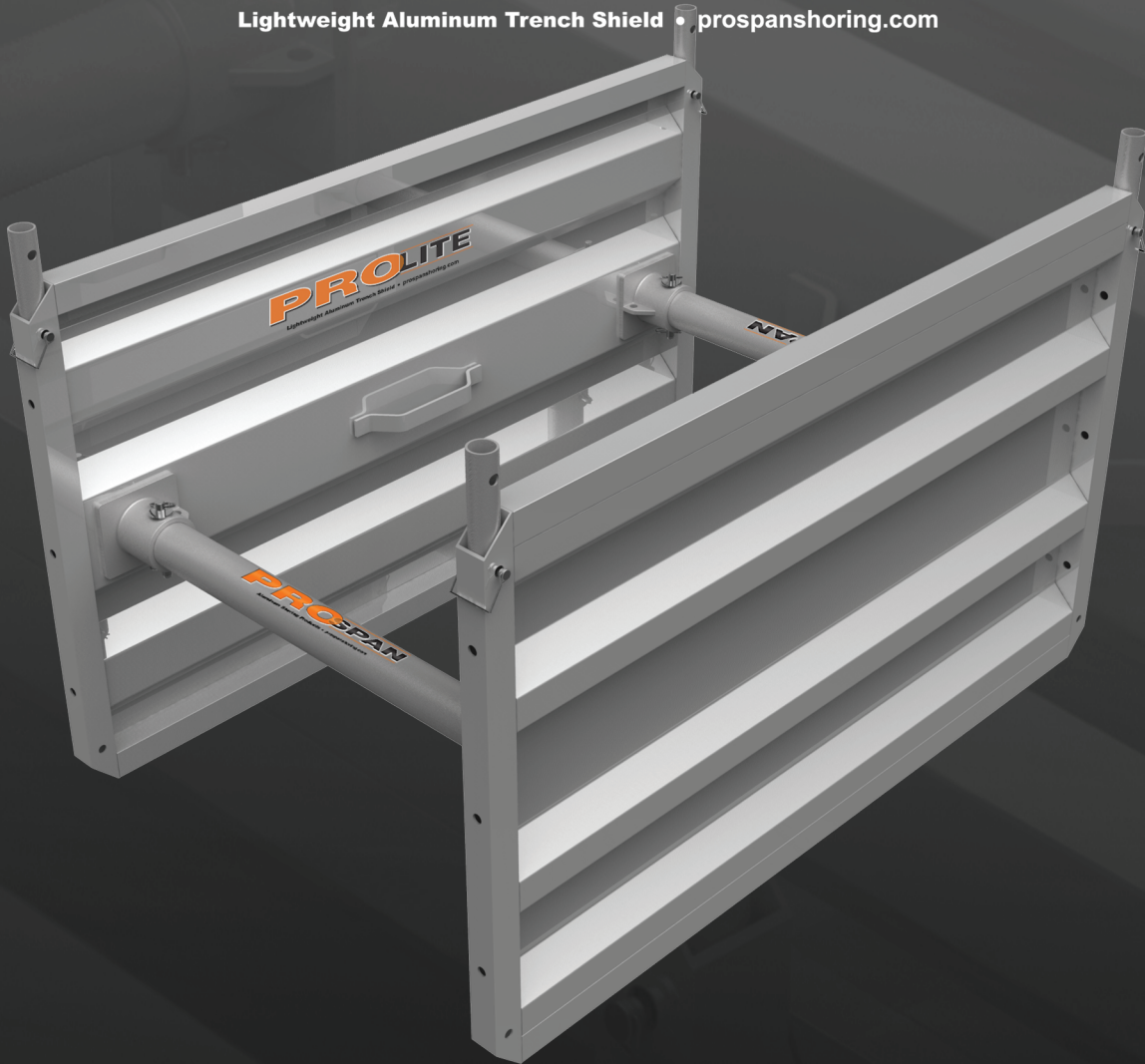


# PROLITE

Lightweight Aluminum Trench Shield • [prospanshoring.com](http://prospanshoring.com)



MODEL	DIMENSIONS - HxLxW	PSF RATING	WEIGHT PER PAIR	BURY DEPTH
PL36-60	36" x 60" x 2"	792	84 LBS	12 FT